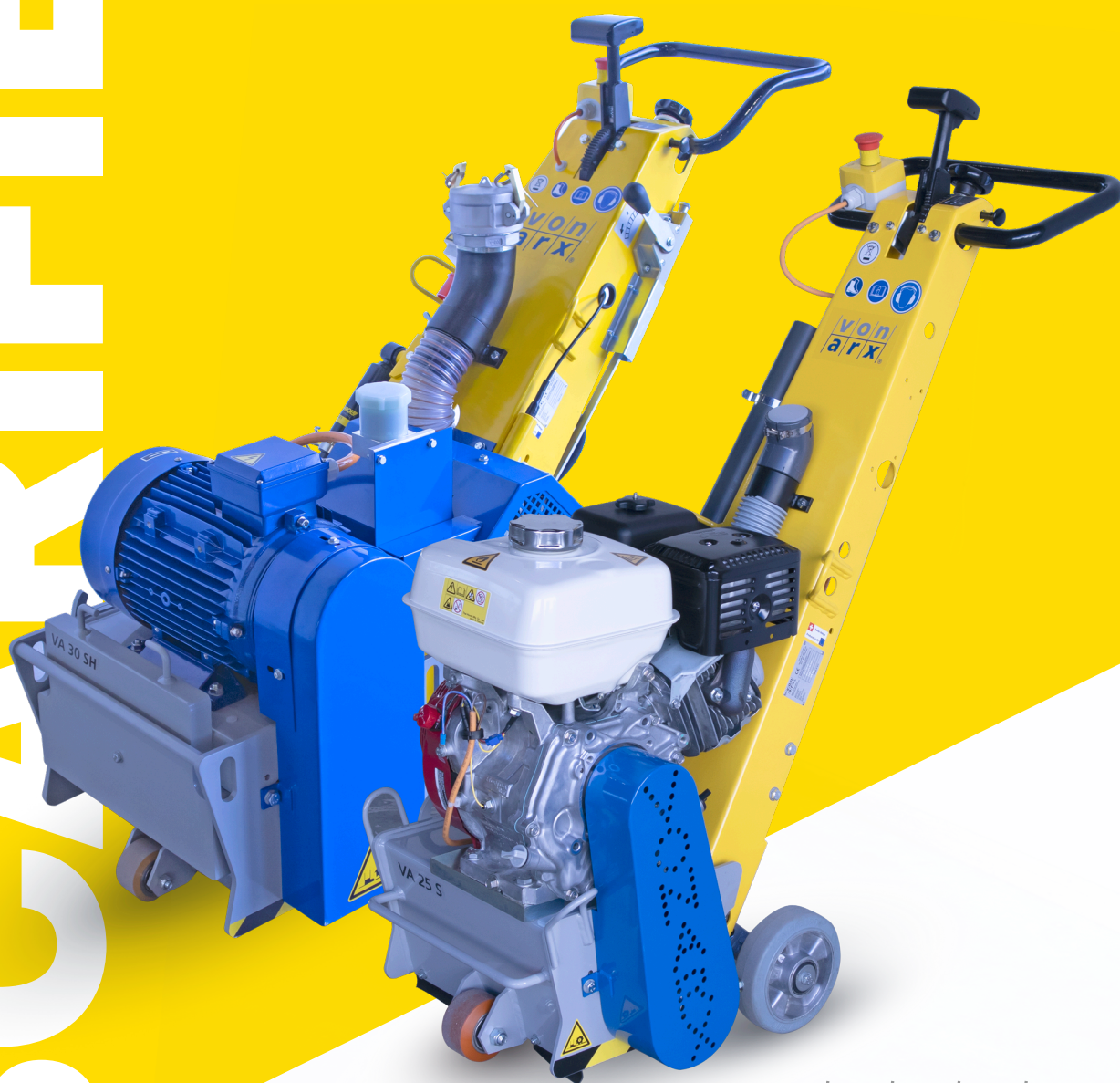


SCARIFIERS

Product catalogue

2022

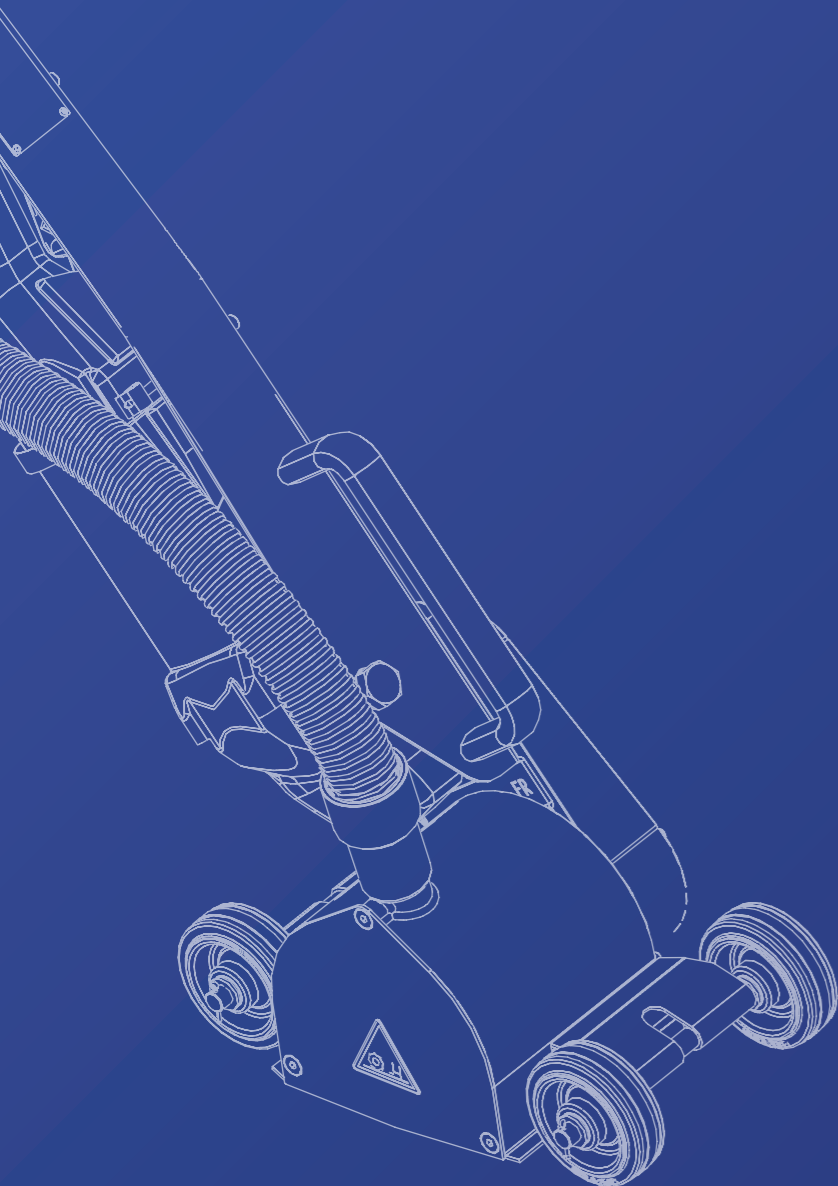


von
arx®
TRUE QUALITY SINCE 1941



VA 10 L

Working width **100 mm**



The VA 10 L is particularly designed for roughening and cleaning small areas and tight corners.

It is therefore equipped with a swivel handgrip. Additionally, the machine is also designed to run with 230 V household mains supply.

Various cutters can be fitted to suit different applications.



VA 10 L Electric

| Article code | Power |
|--------------|-------------|
| 702311 | 230V / 50Hz |









| Key features | |
|-----------------------|------------------------------------|
| Wattage/HP | 2.2 kW |
| Working width | 100 mm (4") |
| Distance to wall | 20 mm (0.8") |
| Depth hard concrete | 1 mm/.03" |
| Depth softer concrete | 3 mm/.09" |
| Production/h | 600-650 f2/h, 55-60 m2/h |
| Standard cutters | Pentagonal cutters or as your wish |

| Physical parameters | |
|---------------------|-----------------------------|
| Weight kg/lbs | 24/53 |
| Dimensions cm/inch | 330×360×1320 mm (13×14×52") |

| Field of application | |
|---|--|
| <p>Depending on the cutter type, hard, brittle to firm or elastic surface materials can be worked e.g.:</p> <ul style="list-style-type: none"> • Asphalt and cast asphalt surfaces • Concrete and cement, synthetic stone, floor tiles • Screeds of cement, wood cement, ceramic etc. • Natural stone • Metals • Thermoplastic materials | |
| <p>Surfaces made of highly elastic soft materials or fabrics and fiber materials cannot be worked, or can only be worked with certain limitations e.g.:</p> <ul style="list-style-type: none"> • Latex, rubber, soft plastics and foam materials • Wood, carpets and woven materials | |

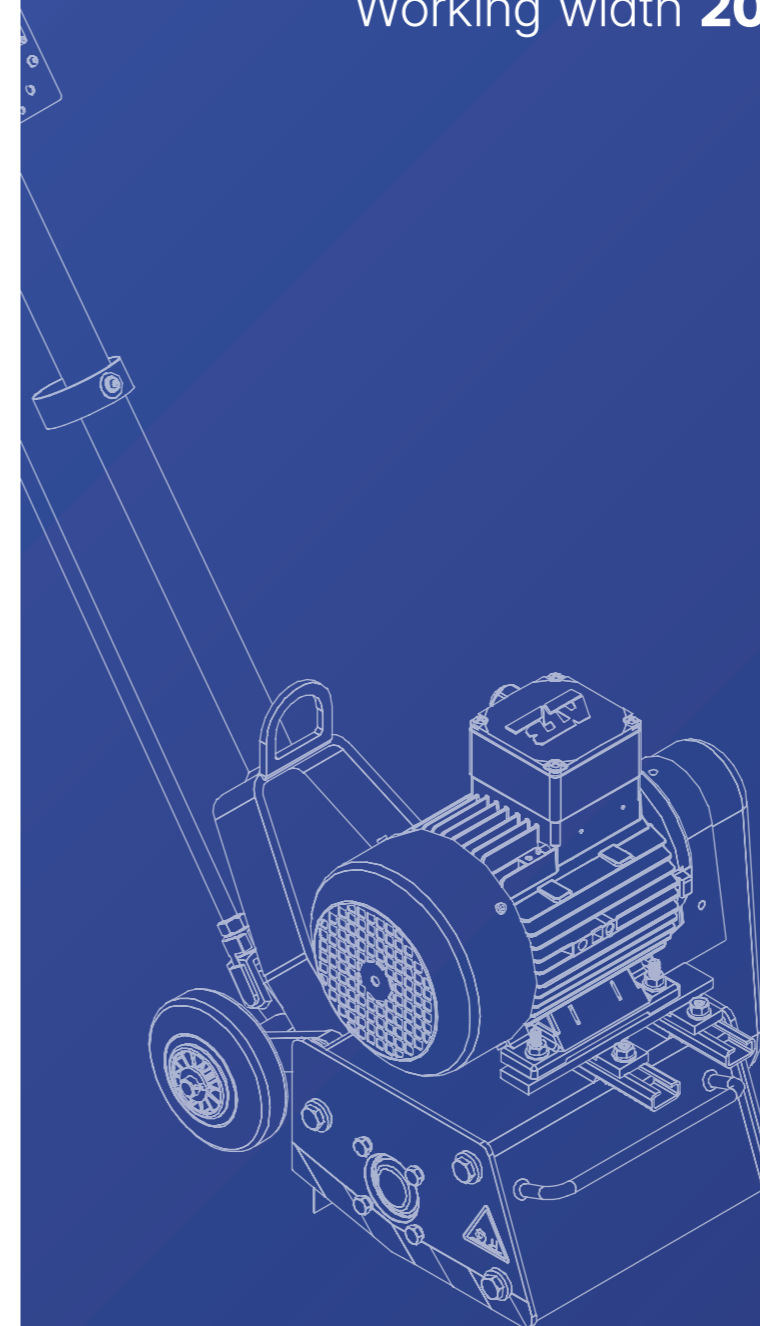
VA 10 L

Spare parts

| | | | | | |
|--|-------------------------------|---|----------------------|---|---|
| Pentagonal cutters for FR 100 / VA 10 L | Pentagonal cutters set 701027 |  | Complete drum 701006 |  | <p>Application: With tungsten carbide inserts, for roughening concrete and asphalt, for removing old coatings</p> <p>One set contains: 4 flail shafts, 0.5kg washers, 36 pcs pentagonal cutters small</p> |
| Hexagonal cutters for FR 100 / VA 10 L | Hexagonal cutters set 701928 |  | Complete drum 706561 |  | <p>Application: With tungsten carbide inserts, for roughening concrete and asphalt, for removing old coatings</p> <p>One set contains: 4 flail shafts, ca. 0.6kg washers, 36 pcs hexagonal cutters small</p> |
| Beam cutters for FR 100 / VA 10 L | Beam cutters set 701028 |  | Complete drum 701007 |  | <p>Application: For removing road markings and paint from asphalt and concrete, and for work on large steel structures with only a slight change of the surface structure</p> <p>One set contains: 4 flail shafts, ca. 2.4kg beam cutters small</p> |
| Milling cutters 11 mm for FR 100 / VA 10 L | Milling cutters set 701031 |  | Complete drum 701009 |  | <p>Application: For removing and stripping thermoplastic and cold plastic coatings and markings</p> <p>One set contains: 4 flail shafts, 0.8kg washers, 16 pcs milling cutters small</p> |
| Milling cutters 22 mm for FR 100 / VA 10 L | Milling cutters set 701030 |  | Complete drum 701008 |  | <p>Application: For removing and stripping thermoplastic and cold plastic coatings and markings</p> <p>One set contains: 4 flail shafts, 0.8kg washers, 8 pcs milling cutters small</p> |
| VHM-milling cutters 11 mm for FR 100 / VA 10 L | Milling cutters set 707529 |  | Complete drum 707528 |  | <p>Application: For removing and stripping thermoplastic and cold plastic coatings and markings</p> <p>One set contains: 4 flail shafts, 0.8kg washers, 16 pcs special VHM-milling cutters small</p> |
| Steel wire brush fine for FR 100 / VA 10 L | Article code 700981 |  | | | <p>Application: For polishing and cleaning various surfaces and for removal of light rust</p> |
| Steel wire brush coarse for FR 100 / VA 10 L | Article code 700982 |  | | | <p>Application: For polishing and cleaning various surfaces and for removal of light rust</p> |

FR 200

Working width **200 mm**



The FR 200 handles a variety of different jobs, from straight forward cleaning to the tricky removal of pavement markings.

The compact size and the easy handling of the machine makes it ideal for carrying out precise work on small or medium surfaces, both indoors and outdoors.



FR 200 GENUS Electric

| Article code | Power | Wattage/HP |
|--------------|------------|-------------|
| 701449G | 230V, 50HZ | 2,2Kw/3HP |
| 800006G | 115V, 60HZ | 1,1Kw/1,5HP |
| 800001G | 230V, 60HZ | 2,2Kw/3HP |

| Key features | |
|---------------------------|--------------------|
| Working width | 20cm/8" |
| Distance to wall | 6,7cm/2,6" |
| Depth hard concrete | Surface |
| Depth softer concrete | 3 mm/.12" |
| Production/h | 35-40m2/370sqf |
| Standard cutters included | Pentagonal carbide |

Physical parameters

| | | |
|--------------------|--------------------|----------|
| Weight kg/lbs | 701449G | 59.7/132 |
| | 800006G | 62.8/138 |
| | 800001G | 55/121 |
| Dimensions cm/inch | 110×38×97/43×15×38 | |

Field of application

Depending on the cutter type, hard, brittle to firm or elastic surface materials can be worked e.g.:

- Asphalt and cast asphalt surfaces
- Concrete and cement, synthetic stone, floor tiles
- Screeds of cement, wood cement, ceramic etc.
- Natural stone
- Metals
- Thermoplastic materials

Surfaces made of highly elastic soft materials or fabrics and fiber materials cannot be worked, or can only be worked with certain limitations e.g.:

- Latex, rubber, soft plastics and foam materials
- Wood, carpets and woven materials



FR 200 GENUS Electric

| Article code | Power | Wattage/HP |
|--------------|---------------|------------|
| 701477G | 400V, 50/60HZ | 2,2Kw/3HP |
| 707588G | 115V, 60HZ | 1,5Kw/2HP |
| 800004G | 115V, 50HZ | 1,5Kw/2HP |

| Key features | |
|-----------------------|--------------------|
| Working width | 20cm/8" |
| Distance to wall | 6,7cm/2,6" |
| Depth hard concrete | Surface |
| Depth softer concrete | 3 mm/.12" |
| Production/h | 35-40m2/370sqf |
| Standard cutters | Pentagonal carbide |

Physical parameters

| | | |
|--------------------|--------------------|-----------|
| Weight | 701477G | 62.8/ 138 |
| | 707588G | 61,4/ 138 |
| | 800004G | 63/ 139 |
| Dimensions cm/inch | 110×37×97/43×14×38 | |

Field of application

Depending on the cutter type, hard, brittle to firm or elastic surface materials can be worked e.g.:

- Asphalt and cast asphalt surfaces
- Concrete and cement, synthetic stone, floor tiles
- Screeds of cement, wood cement, ceramic etc.
- Natural stone
- Metals
- Thermoplastic materials

Surfaces made of highly elastic soft materials or fabrics and fiber materials cannot be worked, or can only be worked with certain limitations e.g.:

- Latex, rubber, soft plastics and foam materials
- Wood, carpets and woven materials



FR 200 GENUS

Gasoline Honda

| Article code | Power |
|--------------|----------|
| 701436G | Gasoline |

| Key features | |
|---------------------------|-----------------------------|
| Wattage/HP | 4Kw/5.3HP |
| Working width | 20cm/8" |
| Distance to wall | 5,4cm/2" |
| Depth hard concrete | Surface |
| Depth softer concrete | 3 mm/12" |
| Production/h | 35-40m ² /370sqf |
| Standard cutters included | Pentagonal carbide |

| Physical parameters | |
|---------------------|--------------------|
| Weight kg/lbs | 56/126 |
| Dimensions cm/inch | 110×38×97/43×15×38 |

| Field of application | |
|---|--|
| <p>Depending on the cutter type, hard, brittle to firm or elastic surface materials can be worked e.g.:</p> <ul style="list-style-type: none"> • Asphalt and cast asphalt surfaces • Concrete and cement, synthetic stone, floor tiles • Screeds of cement, wood cement, ceramic etc. • Natural stone • Metals • Thermoplastic materials | |
| <p>Surfaces made of highly elastic soft materials or fabrics and fiber materials cannot be worked, or can only be worked with certain limitations e.g.:</p> <ul style="list-style-type: none"> • Latex, rubber, soft plastics and foam materials • Wood, carpets and woven materials | |



SF 60

Side attachment unit

| Article code |
|--------------|
| 706294 |

| Key features | |
|---------------------------|-------------------------------|
| Wattage/HP | 4Kw/5.3HP |
| Working width | 20 cm/8" |
| Distance to wall | 5,4 cm/2" |
| Depth hard concrete | Surface |
| Depth softer concrete | 3 mm/12" |
| Production/h | 35-40 m ² /370 sqf |
| Standard cutters included | Pentagonal carbide |

| Physical parameters | |
|---------------------|--------------------------|
| Weight | 7.0 Kg / 15.4 lbs |
| Dimensions cm/inch | 145×316×131/5.7×12.4×5.2 |

| Field of application |
|---|
| <p>The SF 60 attachment unit, can be mounted on any Von Arx FR 200 machine very easily in a couple of minutes.</p> |

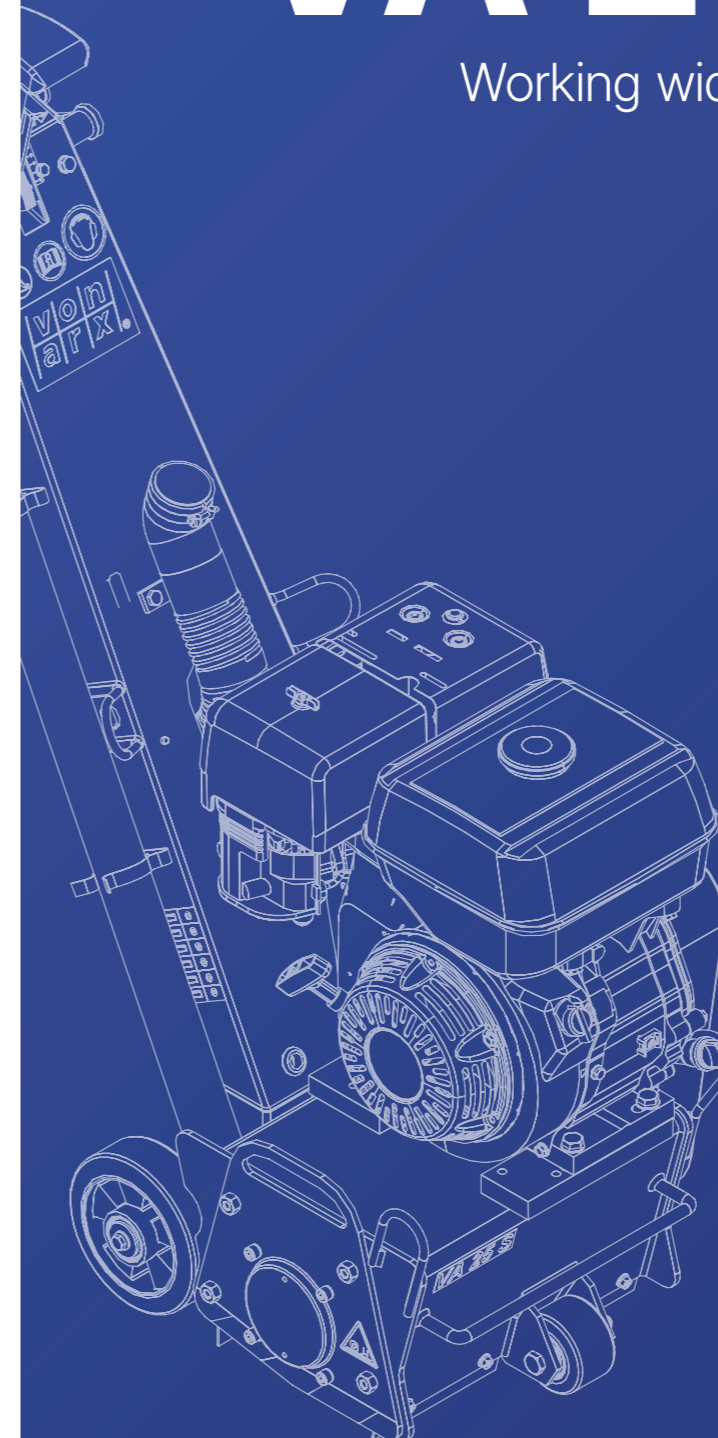
FR 200 GENUS

Spare parts

| | | | | | |
|------------------------------------|--------------------------------------|---|----------------------|---|--|
| Pentagonal cutters for FR 200 | Pentagonal cutters set 701505 |  | Complete drum 701422 |  | <p>Application: With tungsten carbide inserts, for roughening concrete and asphalt, for removing old coatings</p> <p>One set contains: 4 flail shafts, 1,1kg washers, 76 pcs pentagonal cutters small</p> |
| Hexagonal cutters for FR 200 | Hexagonal cutters set 701930 |  | Complete drum 706563 |  | <p>Application: With tungsten carbide inserts, for roughening concrete and asphalt, for removing old coatings</p> <p>One set contains: 4 flail shafts, 1,1kg washers, 76 pcs hexagonal cutters small</p> |
| Beam cutters for FR 200 | Beam cutters set 701506 |  | Complete drum 701423 |  | <p>Application: For removing road markings and paint from asphalt and concrete, and for work on large steel structures with only a slight change of the surface structure</p> <p>One set contains: 4 flail shafts, ca.4.6kg beam cutters small</p> |
| Milling cutters 11 mm for FR 200 | Milling cutters set 701508 |  | Complete drum 701425 |  | <p>Application: For removing and stripping thermoplastic and cold plastic coatings and markings</p> <p>One set contains: 4 flail shafts, 1,2kg washers, 40 pcs milling cutters small</p> |
| Milling cutters 22 mm for FR 200 | VHM-milling cutters 22 mm set 701507 |  | Complete drum 701424 |  | <p>Application: For removing and stripping thermoplastic and cold plastic coatings and markings</p> <p>One set contains: 4 flail shafts, 0,8kg washers, 24 pcs milling cutters small</p> |
| VHM-milling cutters 11 mm FR 200 | VHM-milling cutters 11 mm set 701997 |  | Complete drum 702208 |  | <p>Application: For removing and stripping thermoplastic and cold plastic coatings and markings</p> <p>One set contains: 4 flail shafts, 1,2kg washers, 40 pcs special VHM-milling cutters small</p> |
| Steel wire brush fine for FR 200 | Article code 700981 |  | | | <p>Application: For polishing and cleaning various surfaces and for removal of light rust</p> <p>Attention please: You need 2 brushes for getting the normal drum size.</p> |
| Steel wire brush coarse for FR 200 | Article code 700982 |  | | | <p>Application: For polishing and cleaning various surfaces and for removal of light rust</p> <p>Attention please: You need 2 brushes for getting the normal drum size.</p> |

VA 25 S

Working width **250 mm**



The VA 25 S is the machine of choice for medium up to large surfaces.

Equipped with a vibration absorber and an infinite variable depth adjuster, the flexible VA 25 S offers the highest level of user comfort and efficiency.

Various cutters can be fitted to suit different applications. Available as gasoline, or electric machine.



VA 25 S Electric

| Article code | Power |
|--------------|--------------|
| 709554 | 3×230V, 50Hz |
| 800026 | 3×230V, 60HZ |
| 706289 | 3×400V, 50HZ |

| Key features | |
|---------------------------|-----------------------------|
| Wattage/HP | 4Kw/5.3HP |
| Working width | 25cm/10" |
| Distance to wall | 6.7cm/2.6" |
| Depth hard concrete | 3 mm/12" |
| Depth softer concrete | 6 mm/24" |
| Production/h | 40-45m ² /430sqf |
| Standard cutters included | Hexagonal carbide |

| Physical parameters | | |
|---------------------|---------------------|-----------|
| Weight kg/lbs | 709554 | 116/256 |
| | 800026 | 116/256 |
| | 706289 | 110.8/244 |
| Dimensions cm/inch | 95×46×117 /37×18×46 | |

Field of application

Depending on the cutter type, hard, brittle to firm or elastic surface materials can be worked e.g.:

- Asphalt and cast asphalt surfaces
- Concrete and cement, synthetic stone, floor tiles
- Screeds of cement, wood cement, ceramic etc.
- Natural stone
- Metals
- Thermoplastic materials

Surfaces made of highly elastic soft materials or fabrics and fiber materials cannot be worked, or can only be worked with certain limitations e.g.:

- Latex, rubber, soft plastics and foam materials
- Wood, carpets and woven materials



VA 25 S Gasoline

| Article code | Power |
|--------------|----------|
| 707335 | Gasoline |

| Key features | |
|---------------------------|-----------------------------|
| Wattage/HP | 5,3Kw/7.1HP |
| Working width | 25cm/10" |
| Distance to wall | 6.7cm/2.6" |
| Depth hard concrete | 3 mm/12" |
| Depth softer concrete | 6 mm/24" |
| Production/h | 40-45m ² /430sqf |
| Standard cutters included | Hexagonal carbide |

| Physical parameters | |
|---------------------|--------------------|
| Weight kg/lbs | 108.4/239 |
| Dimensions cm/inch | 95×46×117/37×18×46 |

Field of application

Depending on the cutter type, hard, brittle to firm or elastic surface materials can be worked e.g.:



















- Asphalt and cast asphalt surfaces
- Concrete and cement, synthetic stone, floor tiles
- Screeds of cement, wood cement, ceramic etc.
- Natural stone
- Metals
- Thermoplastic materials

Surfaces made of highly elastic soft materials or fabrics and fiber materials cannot be worked, or can only be worked with certain limitations e.g.:

- Latex, rubber, soft plastics and foam materials
- Wood, carpets and woven materials

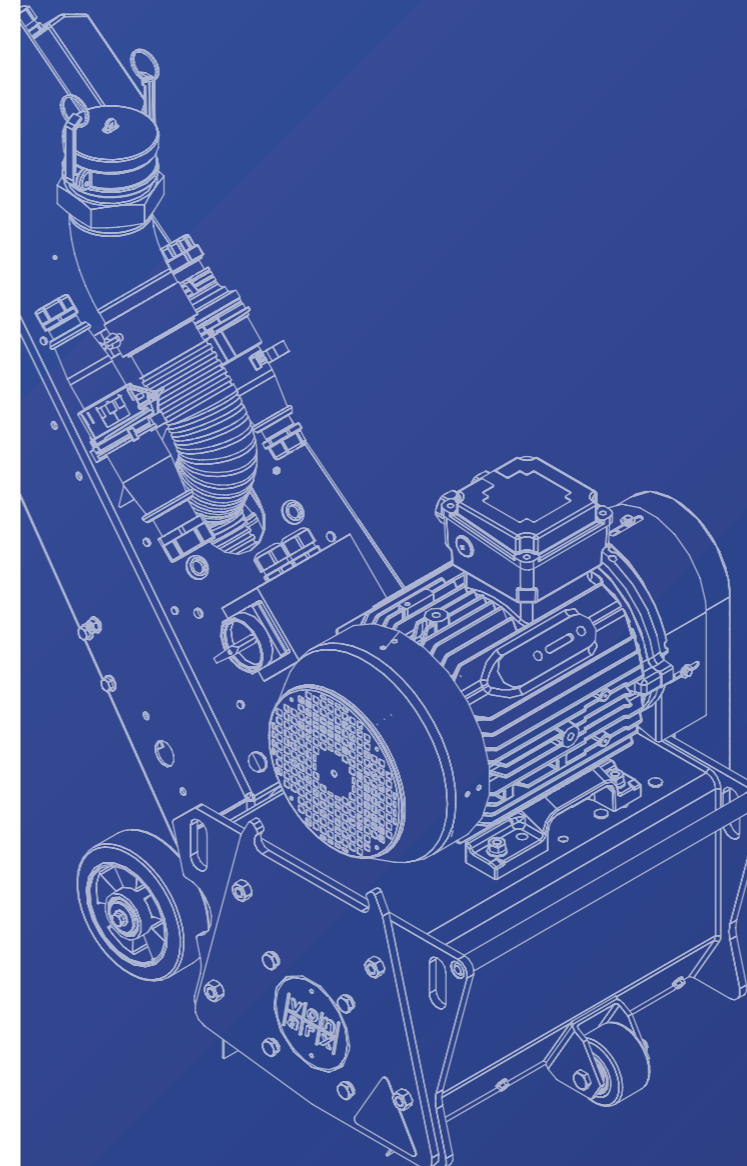
VA 25 S

Spare parts

| | | | | | |
|-----------------------------------|--------------------------------|---|----------------------|---|---|
| Pentagonal cutters for VA 25 S | Pentagonal cutters set 706306 |  | Complete drum 706946 |  | <p>Application: With tungsten carbide inserts, for roughening concrete and asphalt, for removing old coatings</p> <p>One set contains: 6 flail shafts, 1,2 kg washers, 81 pcs pentagonal cutters small</p> |
| Hexagonal cutters for VA 25 S | Hexagonal cutters set 706692 |  | Complete drum 707189 |  | <p>Application: With tungsten carbide inserts, for roughening concrete and asphalt, for removing old coatings</p> <p>One set contains: 6 flail shafts, ca. 1.2kg washers, 81 pcs hexagonal cutters small</p> |
| Beam cutters for VA 25 S | Beam cutters set 702592 |  | Complete drum 707192 |  | <p>Application: For removing road markings and paint from asphalt and concrete, and for work on large steel structures with only a slight change of the surface structure</p> <p>One set contains: 6 flail shafts, ca. 5.0kg beam cutters small</p> |
| Milling cutters 11 mm for VA 25 S | Milling cutters set 702594 |  | Complete drum 707194 |  | <p>Application: For removing and stripping thermoplastic and cold plastic coatings and markings</p> <p>One set contains: 6 flail shafts, 1.0kg washers, 45 pcs milling cutters small</p> |
| Milling cutters 22 mm for VA 25 S | Milling cutters set 702593 |  | Complete drum 707193 |  | <p>Application: For removing and stripping thermoplastic and cold plastic coatings and markings</p> <p>One set contains: 6 flail shafts, ca. 0.6kg washers, 27 pcs milling cutters small</p> |
| Hexagonal cutters for VA 25 S | Milling cutters set 706306 |  | Complete drum 706946 |  | <p>Application: With tungsten carbide inserts, for roughening concrete and asphalt, for removing old coatings</p> <p>One set contains: 6 flail shafts, 1,2 kg washers, 81 pcs hexagonal cutters medium</p> |
| Beam cutters for VA 25 S | Beam cutters set 702385 |  | Complete drum 706948 |  | <p>Application: For removing road markings and paint from asphalt and concrete, and for work on large steel structures with only a slight change of the surface structure</p> <p>One set contains: 6 flail shafts, ca. 9.6 kg beam cutters medium</p> |
| Milling cutters 19 mm for VA 25 S | Milling cutters set 702387 |  | Complete drum 706947 |  | <p>Application: For removing and stripping thermoplastic and cold plastic coatings and markings</p> <p>One set contains: 6 flail shafts, 1.1kg washers, 27 pcs milling cutters medium</p> |
| Clover leaf cutters for VA 25 S | Clover leaf cutters set 702590 |  | Complete drum 707190 |  | <p>Application: With tungsten carbide inserts, for roughening concrete and asphalt, for removing old coatings</p> <p>One set contains: 6 flail shafts, 1,1 kg washers, 81 pcs clover leaf cutters medium</p> |

VA 30 S

Working width 300 mm



Ideal where paved surfaces need to be roughened, grooved, cleaned, or where layers need to be removed. The VA 30 S' infinite variable depth adjuster allows to adapt perfectly to every surface.

The vibration absorption system and easy handling make the job more pleasant and efficient. It allows the VA 30 S to glide across the hardest challenge as a heavy duty surface preparation machine.

Various cutters can be fitted to suit different applications.



VA 30 S Electric

| Article code | Power |
|--------------|------------|
| 800013 | 230V, 60HZ |
| 706267 | 400V, 50HZ |
| 800010 | 480V, 60HZ |

| Key features | |
|-----------------------|-------------------|
| Wattage/HP | 7,5Kw / 10HP |
| Working width | 30cm / 12" |
| Distance to wall | 9cm / 3.5" |
| Depth hard concrete | 6 mm/.24" |
| Depth softer concrete | 9 mm / . 35" |
| Production/h | 50-55m2/540sqf |
| Standard cutters | Octagonal carbide |

| Physical parameters | | |
|---------------------|---------------------|-----------|
| Weight kg/lbs | 800013 | 210/463 |
| | 706267 | 222.8/491 |
| | 800010 | 243/535 |
| Dimensions cm/inch | 135x56x109/53x22x43 | |

| Field of application | |
|---|--|
| <p>Depending on the cutter type, hard, brittle to firm or elastic surface materials can be worked e.g.:</p> <ul style="list-style-type: none"> Asphalt and cast asphalt surfaces Concrete and cement, synthetic stone, floor tiles Screeds of cement, wood cement, ceramic etc. Natural stone Metals Thermoplastic materials | |
| <p>Surfaces made of highly elastic soft materials or fabrics and fiber materials cannot be worked, or can only be worked with certain limitations e.g.:</p> | <ul style="list-style-type: none"> Latex, rubber, soft plastics and foam materials Wood, carpets and woven materials |



VA 30 S Electric, dual

| Article code | Power |
|--------------|---------------------|
| 707373 | 230/400V dual, 50HZ |

| Key features | |
|-----------------------|-------------------|
| Wattage/HP | 5,5Kw/7.4HP |
| Working width | 30cm/12" |
| Distance to wall | 9cm/3.5" |
| Depth hard concrete | 6 mm/.24" |
| Depth softer concrete | 9 mm/.35" |
| Production/h | 50-55m2/540sqf |
| Standard cutters | Octagonal carbide |

| Physical parameters | |
|---------------------|---------------------|
| Weight | 285Kg/628lbs |
| Dimensions cm/inch | 135x56x109/53x22x43 |

| Field of application | |
|--|--|
| <p>Depending on the cutter type, hard, brittle to firm or elastic surface materials can be worked e.g.:</p> | <p>Asphalt and cast asphalt surfaces Concrete and cement, synthetic stone, floor tiles Screeds of cement, wood cement, ceramic etc. Natural stone Metals Thermoplastic materials</p> |
| <p>Surfaces made of highly elastic soft materials or fabrics and fiber materials cannot be worked, or can only be worked with certain limitations e.g.:</p> | <p>Latex, rubber, soft plastics and foam materials Wood, carpets and woven materials</p> |



VA 30 S Diesel

| Article code | Power |
|--------------|--------|
| 706276 | Diesel |

| Key features | |
|-----------------------|--------------------|
| Wattage/HP | 6,4Kw / 8.4HP |
| Working width | 30cm / 12" |
| Distance to wall | 9 cm / 3.5" |
| Depth hard concrete | 6 mm / .24" |
| Depth softer concrete | 9 mm / .35" |
| Production/h | 50-55 m2 / 540 sqf |
| Standard cutters | Octagonal carbide |

Physical parameters

| | |
|--------------------|-----------------------|
| Weight kg/lbs | 216 kg / 476 lbs |
| Dimensions cm/inch | 135x56x109 / 53x22x43 |

Field of application

Depending on the cutter type, hard, brittle to firm or elastic surface materials can be worked e.g.:

- Asphalt and cast asphalt surfaces
- Concrete and cement, synthetic stone, floor tiles
- Screeds of cement, wood cement, ceramic etc.
- Natural stone
- Metals
- Thermoplastic materials

Surfaces made of highly elastic soft materials or fabrics and fiber materials cannot be worked, or can only be worked with certain limitations e.g.:

- Latex, rubber, soft plastics and foam materials
- Wood, carpets and woven materials



VA 30 S Gasoline

| Article code | Power |
|--------------|----------|
| 706275 | Gasoline |

| Key features | |
|-----------------------|-------------------|
| Wattage/HP | 6Kw/8HP |
| Working width | 30cm/12" |
| Distance to wall | 9cm/3.5" |
| Depth hard concrete | 6 mm/.24" |
| Depth softer concrete | 9 mm/.35" |
| Production/h | 50-55m2/540sqf |
| Standard cutters | Octagonal carbide |

Physical parameters

| | |
|--------------------|---------------------|
| Weight kg/lbs | 173/381 |
| Dimensions cm/inch | 135x56x109/53x22x43 |

Field of application

Depending on the cutter type, hard, brittle to firm or elastic surface materials can be worked e.g.:

- Asphalt and cast asphalt surfaces
- Concrete and cement, synthetic stone, floor tiles
- Screeds of cement, wood cement, ceramic etc.
- Natural stone
- Metals
- Thermoplastic materials

Surfaces made of highly elastic soft materials or fabrics and fiber materials cannot be worked, or can only be worked with certain limitations e.g.:

- Latex, rubber, soft plastics and foam materials
- Wood, carpets and woven materials

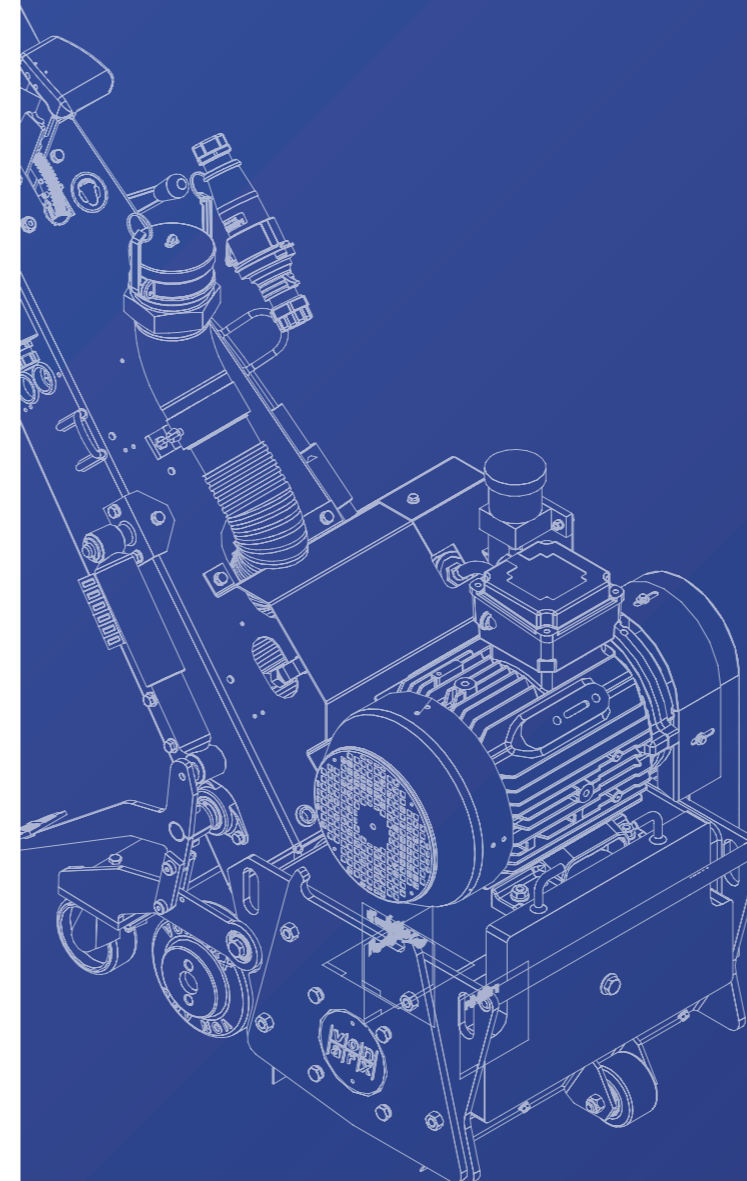
VA 30 S

Spare parts

| | | | | | |
|--|------------------------------|---|----------------------|---|--|
| Octagonal cutters for VA 30 S / VA 30 SH | Octagonal cutters set 701836 |  | Complete drum 701691 |  | <p>Application: With tungsten carbide inserts, for roughening concrete and asphalt, for removing old coatings</p> <p>One set contains: 4 flail shafts, 5.0kg washers, 72 pcs octagonal cutters large</p> |
| Bihexagonal cutters for VA 30 S / VA 30 SH | Hexagonal cutters set 706691 |  | Complete drum 706566 |  | <p>Application: With tungsten carbide inserts, for roughening concrete and asphalt, for removing old coatings</p> <p>One set contains: 4 flail shafts, 5.0kg washers, 72 pcs bihexagonal cutters large</p> |
| Beam cutters for VA 30 S / VA 30 SH | Beam cutters set 701839 |  | Complete drum 701694 |  | <p>Application: For removing road markings and paint from asphalt and concrete, and for work on large steel structures with only a slight change of the surface structure</p> <p>One set contains: 4 flail shafts, ca. 5.8kg washers ca. 11.6kg beam cutters large</p> |
| Milling cutters 19 mm for VA 30 S / VA 30 SH | Milling cutters set 701841 |  | Complete drum 701696 |  | <p>Application: For removing and stripping thermoplastic and cold plastic coatings and markings</p> <p>One set contains: 4 flail shafts, 6.0kg washers, 24 pcs milling cutters large</p> |
| Milling cutters 39 mm for VA 30 S / VA 30 SH | Milling cutters set 701840 |  | Complete drum 701695 |  | <p>Application: For removing and stripping thermoplastic and cold plastic coatings and markings</p> <p>One set contains: 4 flail shafts, ca. 6.0kg washers, 12 pcs milling cutters large</p> |
| Round cutter for VA 30 S / VA 30 SH | Round cutter set 701842 |  | Complete drum 701697 |  | <p>Application: With tungsten carbide inserts, for roughening concrete and asphalt, for removing old coatings</p> <p>One set contains: 4 flail shafts, 5.9kg washers, 56 pcs round cutters large</p> |

VA 30 SH

Working width **300 mm**



The VA 30 SH with hydraulic traction is the best choice when heavy duty cleaning and roughening work is due.

This machine owes its agility to hydraulic traction and is easy to use. It is ideal for cleaning large areas of concrete, removing concrete slurry, dirt, plastic or roughening smooth surfaces.

It is also used for paint removal and rubber lining removal at airports. Various cutters can be fitted to suit different applications.

The VA 30 SH is equipped with a variable depth adjuster and a vibration absorption system.



VA 30 SH

Electric

| Article code | Power |
|--------------|------------|
| 800014 | 230V, 60HZ |
| 707199 | 400V, 50HZ |
| 800007 | 480V, 60HZ |

| Key features | |
|-----------------------|-------------------|
| Wattage/HP | 7,5Kw |
| Working width | 30cm/12" |
| Distance to wall | 9cm/3.5" |
| Depth hard concrete | 7 mm/.27" |
| Depth softer concrete | 10 mm/.40" |
| Production/h | 50-55m2/540sqf |
| Standard cutters | Octagonal carbide |

| Physical parameters | | |
|---------------------|---------------------|-----------|
| Weight kg/lbs | 800014 | 285/628 |
| | 707199 | 305.4/673 |
| | 800007 | 328/723 |
| Dimensions cm/inch | 135x56x109/53x22x43 | |

Field of application

Depending on the cutter type, hard, brittle to firm or elastic surface materials can be worked e.g.:

- Asphalt and cast asphalt surfaces
- Concrete and cement, synthetic stone, floor tiles
- Screeds of cement, wood cement, ceramic etc.
- Natural stone
- Metals
- Thermoplastic materials

Surfaces made of highly elastic soft materials or fabrics and fiber materials cannot be worked, or can only be worked with certain limitations e.g.:

- Latex, rubber, soft plastics and foam materials
- Wood, carpets and woven materials



VA 30 SH

Diesel with electrostart

| Article code | Power |
|--------------|---------------------|
| 707532 | Diesel electrostart |

| Key features | |
|-----------------------|-------------------|
| Wattage/HP | 7,5Kw |
| Working width | 30cm/12" |
| Distance to wall | 9cm/3.5" |
| Depth hard concrete | 7 mm/.27" |
| Depth softer concrete | 10 mm/.40" |
| Production/h | 50-55m2/540sqf |
| Standard cutters | Octagonal carbide |

| Physical parameters | |
|---------------------|---------------------|
| Weight kg/lbs | 305.4/673 |
| Dimensions cm/inch | 135x56x109/53x22x43 |

Field of application

Depending on the cutter type, hard, brittle to firm or elastic surface materials can be worked e.g.:

- Asphalt and cast asphalt surfaces
- Concrete and cement, synthetic stone, floor tiles
- Screeds of cement, wood cement, ceramic etc.
- Natural stone
- Metals
- Thermoplastic materials

Surfaces made of highly elastic soft materials or fabrics and fiber materials cannot be worked, or can only be worked with certain limitations e.g.:

- Latex, rubber, soft plastics and foam materials
- Wood, carpets and woven materials

VA 30 SH

Gasoline with hydraulic traction



| Article code | Power |
|--------------|----------|
| 707533 | Gasoline |

| Key features | |
|-----------------------|-------------------|
| Wattage/HP | 8,2 Kw |
| Working width | 30 cm / 12" |
| Distance to wall | 9 cm / 3.5" |
| Depth hard concrete | 7 mm/.27" |
| Depth softer concrete | 10 mm/.40" |
| Production/h | 50-55 m2 / 540sqf |
| Standard cutters | Octagonal carbide |

| Physical parameters | |
|---------------------|-----------------------|
| Weight kg/lbs | 310 Kg / 683 lbs |
| Dimensions cm/inch | 135x56x109 / 53x22x43 |

| Field of application | |
|---|--|
| <p>Depending on the cutter type, hard, brittle to firm or elastic surface materials can be worked e.g.:</p> <ul style="list-style-type: none"> • Asphalt and cast asphalt surfaces • Concrete and cement, synthetic stone, floor tiles • Screeds of cement, wood cement, ceramic etc. • Natural stone • Metals • Thermoplastic materials | |
| <p>Surfaces made of highly elastic soft materials or fabrics and fiber materials cannot be worked, or can only be worked with certain limitations e.g.:</p> <ul style="list-style-type: none"> • Latex, rubber, soft plastics and foam materials • Wood, carpets and woven materials | |

VA 30 SH

Diesel with hydraulic traction



| Article code | Power |
|--------------|--------|
| 707200 | Diesel |

| Key features | |
|-----------------------|-------------------|
| Wattage/HP | 5,6 Kw |
| Working width | 30 cm / 12" |
| Distance to wall | 9 cm / 3.5" |
| Depth hard concrete | 7 mm / .27" |
| Depth softer concrete | 10 mm / .40" |
| Production/h | 50-55 m2 / 540sqf |
| Standard cutters | Octagonal carbide |

| Physical parameters | |
|---------------------|-----------------------|
| Weight kg/lbs | 273 Kg / 602 lbs |
| Dimensions cm/inch | 135x56x109 / 53x22x43 |

| Field of application | |
|---|--|
| <p>Depending on the cutter type, hard, brittle to firm or elastic surface materials can be worked e.g.:</p> <ul style="list-style-type: none"> • Asphalt and cast asphalt surfaces • Concrete and cement, synthetic stone, floor tiles • Screeds of cement, wood cement, ceramic etc. • Natural stone • Metals • Thermoplastic materials | |
| <p>Surfaces made of highly elastic soft materials or fabrics and fiber materials cannot be worked, or can only be worked with certain limitations e.g.:</p> <ul style="list-style-type: none"> • Latex, rubber, soft plastics and foam materials • Wood, carpets and woven materials | |

VA 30 SH

Spare parts

| | | | | | |
|--|------------------------------|---|----------------------|---|--|
| Octagonal cutters for VA 30 S / VA 30 SH | Octagonal cutters set 701836 |  | Complete drum 701691 |  | <p>Application: With tungsten carbide inserts, for roughening concrete and asphalt, for removing old coatings</p> <p>One set contains: 4 flail shafts, 5.0kg washers, 72 pcs octagonal cutters large</p> |
| Bi-hexagonal cutters for VA 30 S / VA 30 SH | Hexagonal cutters set 706691 |  | Complete drum 706566 |  | <p>Application: With tungsten carbide inserts, for roughening concrete and asphalt, for removing old coatings</p> <p>One set contains: 4 flail shafts, 5.0kg washers, 72 pcs bi-hexagonal cutters large</p> |
| Beam cutters for VA 30 S / VA 30 SH | Beam cutters set 701839 |  | Complete drum 701694 |  | <p>Application: For removing road markings and paint from asphalt and concrete, and for work on large steel structures with only a slight change of the surface structure</p> <p>One set contains: 4 flail shafts, ca. 5.8kg washers ca. 11.6kg beam cutters large</p> |
| Milling cutters 19 mm for VA 30 S / VA 30 SH | Milling cutters set 701841 |  | Complete drum 701696 |  | <p>Application: For removing and stripping thermoplastic and cold plastic coatings and markings</p> <p>One set contains: 4 flail shafts, 6.0kg washers, 24 pcs milling cutters large</p> |
| Milling cutters 39 mm for VA 30 S / VA 30 SH | Milling cutters set 701840 |  | Complete drum 701695 |  | <p>Application: For removing and stripping thermoplastic and cold plastic coatings and markings</p> <p>One set contains: 4 flail shafts, ca. 6.0kg washers, 12 pcs milling cutters large</p> |
| Round cutter for VA 30 S / VA 30 SH | Round cutter set 701842 |  | Complete drum 701697 |  | <p>Application: With tungsten carbide inserts, for roughening concrete and asphalt, for removing old coatings</p> <p>One set contains: 4 flail shafts, 5.9kg washers, 56 pcs round cutters large</p> |

YOU WILL ALWAYS FIND THE RIGHT TOOL TO HANDLE EVERY JOB.

Learn more about our products on www.VONARX.com

VON ARX FOOD

20, Nedyalka Shileva street
South Industrial zone
Trakiya 4000, Plovdiv Bulgaria

Phone: +359 32 940553
E-mail: order@vonarx.com
E-mail: info@vonarx.com

